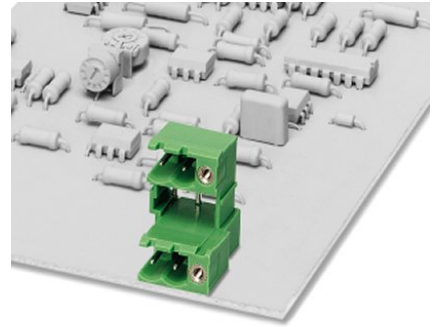


MDSTB 2,5/ 2-GFR-5,08

Order No.: 1736768

<http://eshop.phoenixcontact.de/phoenix/treeViewClick.do?UID=1736768>Header, nominal current: 10 A, rated voltage: 250 V, pitch: 5.08 mm,
no. of positions: 2, mounting: Soldering**Commercial data**

EAN	4017918027926
Pack	50 Pcs.
Customs tariff	85366990
Weight/Piece	0.00557 KG
Catalog page information	Page 173 (CC-2005)

Product notesWEEE/RoHS-compliant since:
01/01/2003

<http://www.download.phoenixcontact.com>
Please note that the data given here has been taken from the online catalog. For comprehensive information and data, please refer to the user documentation. The General Terms and Conditions of Use apply to Internet downloads.

Technical data**Dimensions / positions**

Pitch	5.08 mm
Number of positions	2
Pin dimensions	1 x 1 mm
Hole diameter	1.4 mm

Technical data

Insulating material group	I
Rated surge voltage (III/3)	4 kV
Rated surge voltage (III/2)	4 kV
Rated surge voltage (II/2)	4 kV
Rated voltage (III/2)	320 V
Rated voltage (II/2)	400 V
Connection in acc. with standard	EN-VDE
Nominal current I_N	10 A
Nominal voltage U_N	250 V
Maximum load current	10 A
Insulating material	PBT

Certificates / Approvals

Approval logo



CUL

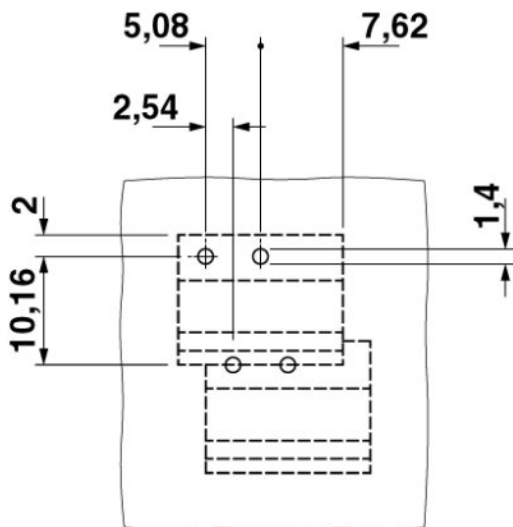
Nominal voltage U_N	300 V
Nominal current I_N	10 A

UL

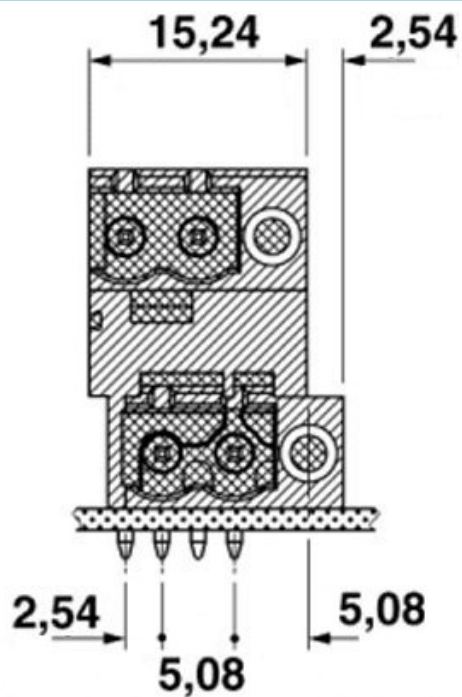
Nominal voltage U_N	300 V
Nominal current I_N	10 A
Certification	CB, CUL, GL, GOST, UL, VDE-PZI

Drawings

Drilling diagram



Dimensioned drawing



Address

PHOENIX CONTACT GmbH & Co. KG
Flachsmarktstr. 8
32825 Blomberg, Germany
Phone +49 5235 3 00
Fax +49 5235 3 41200
<http://www.phoenixcontact.com>



© 2008 Phoenix Contact
Technical modifications reserved;